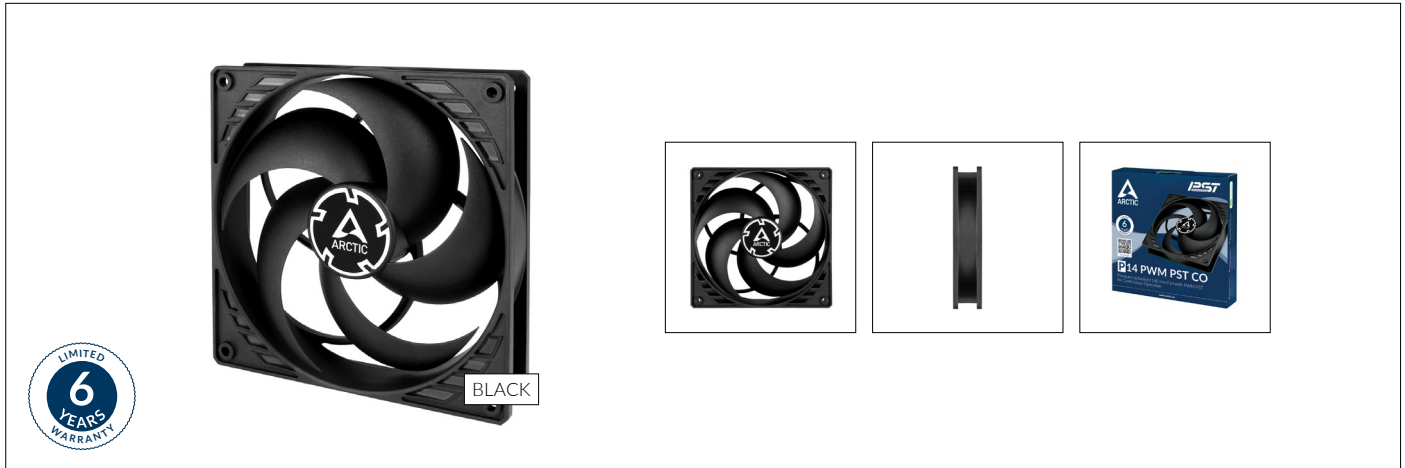


P14 PWM PST CO



140 mm PWM Fan with Cable Splitter for Continuous Operation

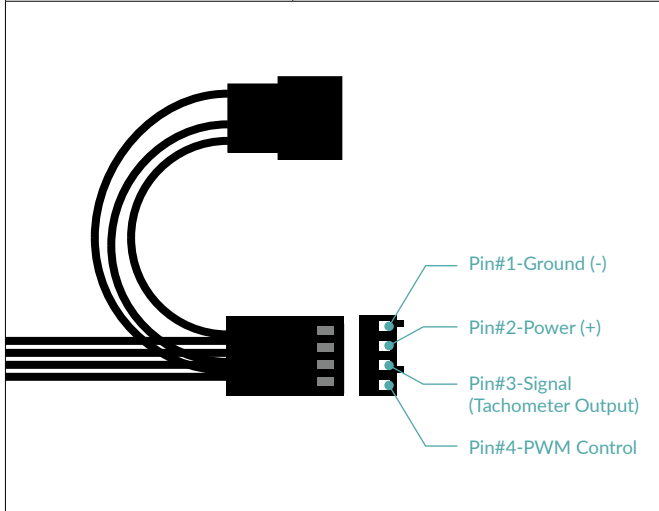


Fan Specifications

Dimensions	140 (L) x 140 (W) x 27 (H) mm
Weight	194 g
Speed	200-1700 rpm, 0 rpm <5% PWM
rpm Control	Pulse Width Modulation - PWM
Static Pressure	2.40 mmH ₂ O
Airflow	72.8 cfm 123.80 m ³ /h
Bearing	Dual Ball Bearing
Cable Length	400mm
Connector	4-Pin Connector + 4-Pin Plug
Current Voltage	0.12 A 12 V DC
Starting Voltage	6.0 V DC
Noise Level	0.3 Sone
Ambient Operating Temperature	0-40 °C

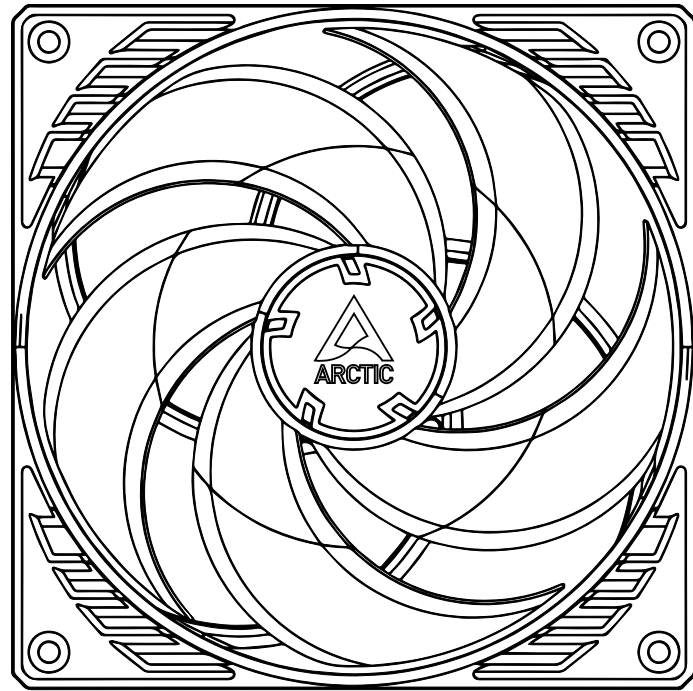
Shipping Information Single Fan - Black

Box Dimensions	143 (L) x 143 (W) x 29 (H) mm
Gross Weight	230 g
SKU	ACFAN00126A
EAN	4895213701570
UPC	872767009516
Box Content	P14 PWM PST CO x 1 Mounting Screws x 4



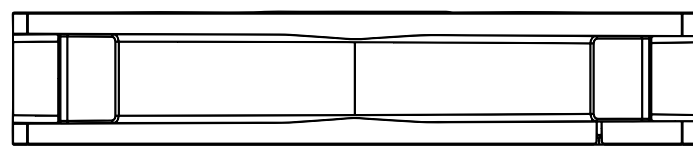
P14 PWM PST CO

140 mm PWM Fan with Cable Splitter for Continuous Operation



140 mm

140 mm

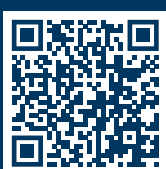


27 mm



All materials are compatible with RoHS requirements.

MORE INFORMATION



MANUALS

